



European Radon Solutions Database

Prepared by
: ERRICCA 2 *European Radon Research and Industry Collaboration Concerted Action*
European Commission Contract N°: FIRI-CT-2001-20142

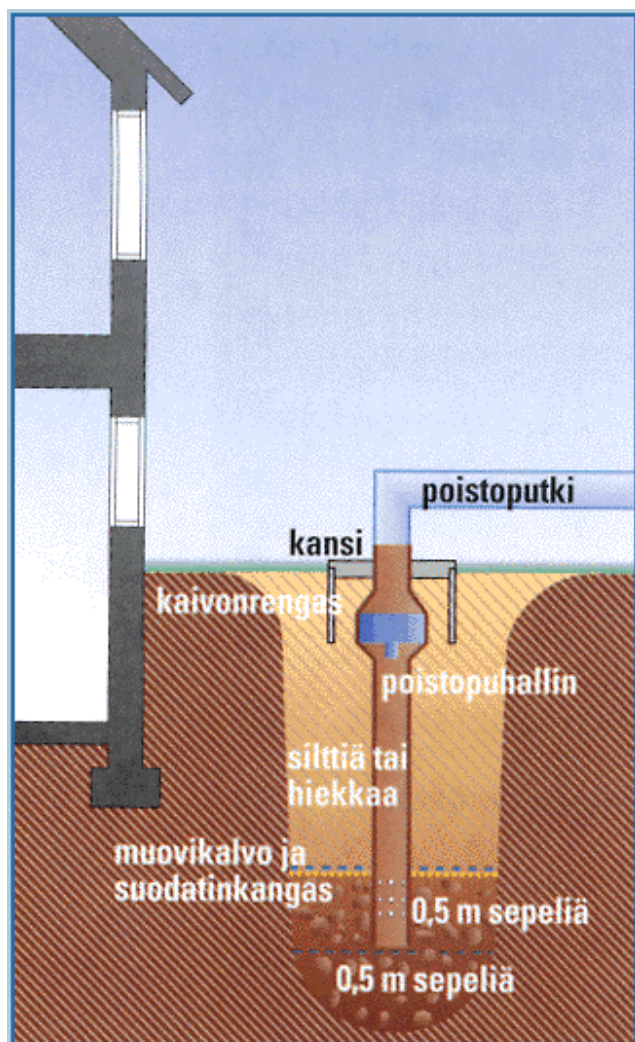
Existing Buildings

Sheet N°

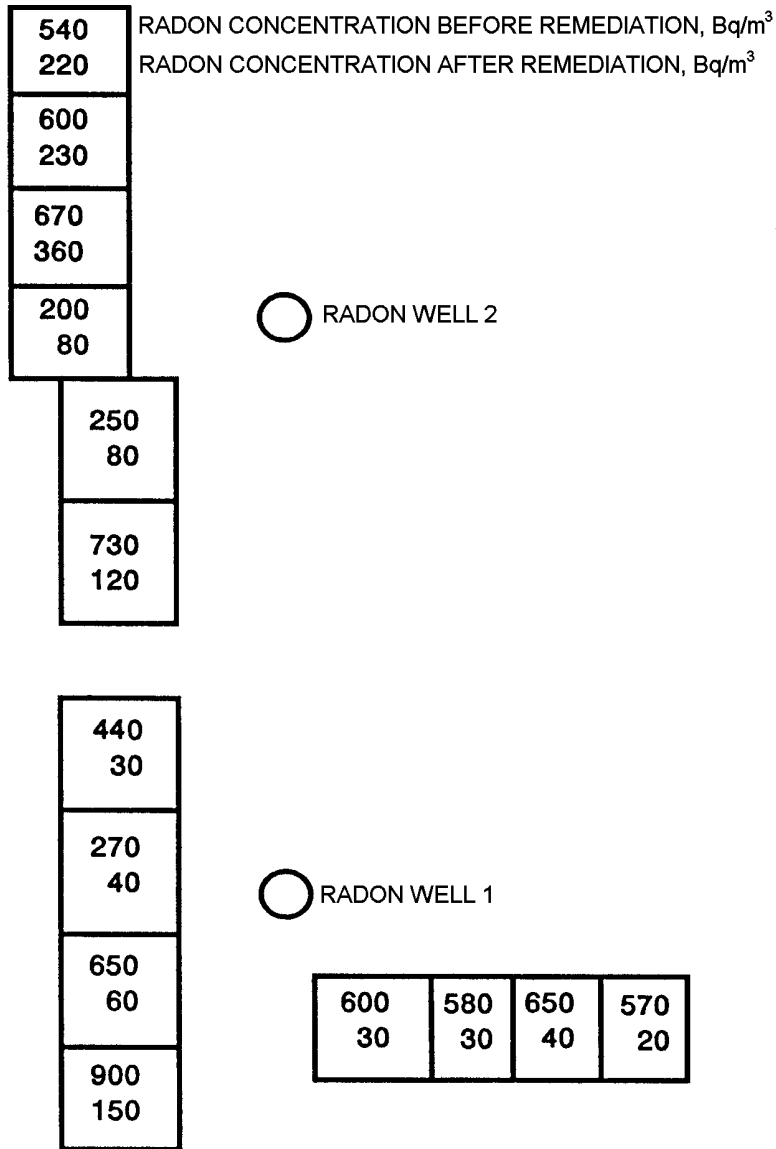
Type Radon well

Country Finland

Illustration



Radon well, from bottom: coarse crushed material, plastic sheet and filter cloth, fine sand or silt, fan, well deck and outlet piping



When to use the system

Houses or large area buildings built on permeable building soils, coarse sand or gravel

Specification

- **typical fan power for single family houses 150 W**
- **large buildings 300 W or higher**
- **radon well is based mainly on soil ventilation and the resulting decrease in radon concentration of soil gas**
- **effective distance 10-20 m, up to 60 m reported**

Further information

Date Prepared : 7.11.2003 Hannu Arvela, STUK Finland